

MAX-E-PRO®

HIGH-EFFICIENCY POOL/SPA PUMPS



TRADEGRADE



Max-E-Pro Pump shown with TEFC Motor



CALIFORNIA PROPOSITION 65 WARNING
 ⚠️ **WARNING:** Cancer and Reproductive Harm.
 ⚠️ **AVERTISSEMENT:** Peut Causer le Cancer et des Dommages au Système Reproducteur.
 ⚠️ **ADVERTENCIA:** Cáncer y Daño Reproductivo.
www.p65warnings.ca.gov P6E615A

Featured Highlights

- Typical Installation – Inground pools, pool/spa combinations, inground spas, fountains and water features
- Easy-to-Install – 2 in. ports include external and internal threads for more plumbing options
- Superior Hydraulic Design – Moves larger volumes of water, resulting in lower operating costs
- Impeller Manufactured with PPO Resin – Withstands the toughest water environments
- EDPM Rubber Shaft Seal – Longer-lasting seal stands up to the harshest environments
- Self-lubricating Lid O-ring – Does not require lubricant

P6 & 5P6R SERIES – High efficiency, low maintenance and maximum performance—all the features demanded by today’s pool professionals. The Max-E-Pro pump has our new Quick-Lock™ Trap Cover Ring and the 2 in. ports incorporate internal and external threads. Available in single- and two-speed models, with ratings from 1/2 to 3 HP. **Built with quality construction** using a durable one-piece pump housing constructed of industry leading glass-reinforced composite resin. **Fast cleaning** with a new Quick-Lock trap cover ring permits fast access to strainer basket. Large see-through lid makes it simple to check for debris. A **strong, sturdy**, specially-designed base dampens sound and vibration, making the Max-E-Pro pump one of the quietest pumps in its class.

Ordering Information

Product	Voltage	Full Load Amps	HP	SF	SFHP	Primary Listings and Certifications ³	Port Size (NPT)	Carton Wt. (Lbs.)	Curve Key
TEFC SUPER-DUTY SINGLE SPEED									
348150	115/208-230	15.1/8.5-7.7	1	1.65	1.65	UL ¹ , NSF ²	2 in. x 2 in.	48	N
348151	208-230	10.3-9.1	1-1/2	1.47	2.21	UL ¹ , NSF ²	2 in. x 2 in.	51	F
348152	208-230	11.7-10.3	2	1.3	2.6	UL ¹ , NSF ²	2 in. x 2 in.	54	G
348153	208-230	14.6-12.7	3	1.15	3.45	UL ¹ , NSF ²	2 in. x 2 in.	58	H
EFFICIENT SINGLE SPEED FULL RATED									
P6E6C-204L	115/208-230	11/5.5	1/2	1.90	0.95	UL ¹ , NSF ² , APSP ³	2 in. x 2 in.	46	C
P6E6D-205L	115/208-230	13.8/6.9	3/4	1.65	1.23	UL ¹ , NSF ²	2 in. x 2 in.	47	D
EFFICIENT SINGLE SPEED UP RATED									
P6EA6E-205L	115/208-230	13.8/6.9	1	1.25	1.25	UL ¹ , NSF ²	2 in. x 2 in.	46	D
P6EA6F-206L	115/208-230	16/8	1-1/2	1.10	1.65	UL ¹ , NSF ²	2 in. x 2 in.	48	E
P6EAA6F-216L	230	10.4	1-3/4	1.25	1.93	UL ¹ , NSF ²	2 in. x 2 in.	54	F
P6EA6G-207L	230	10.4	2	1.10	2.20	UL ¹ , NSF ²	2 in. x 2 in.	54	F
P6EAA6G-208L	230	11.2	2-1/2	1.00	2.50	UL ¹ , NSF ²	2 in. x 2 in.	57	G
STANDARD SINGLE SPEED FULL RATED									
P6R6D-205L	115/208-230	13.2/6.2-6.6	3/4	1.65	1.25	UL ¹ , NSF ²	2 in. x 2 in.	40	D
P6R6E-206L	115/208-230	16.0/7.8-8.0	1	1.65	1.65	UL ¹ , NSF ²	2 in. x 2 in.	45	E
P6R6F-207L	115/208-230	21.0/10.0-10.5	1-1/2	1.47	2.20	UL ¹ , NSF ²	2 in. x 2 in.	51	F
P6R6G-208L	208-230	11.5-11.0	2	1.30	2.60	UL ¹ , NSF ²	2 in. x 2 in.	53	G
P6R6H-209L	230	14.1	3	1.15	3.45	UL ¹ , NSF ²	2 in. x 2 in.	58	H

MAX-E-PRO®

HIGH-EFFICIENCY POOL/SPA PUMPS (CONT'D)

Ordering Information

Product	Voltage	Full Load Amps	HP	SF	SFHP	Primary Listings and Certifications ⁴	Port Size (NPT)	Carton Wt. (Lbs.)	Curve Key
STANDARD SINGLE SPEED UP RATED									
P6RA6E-205L	115/208-230	13.2/6.2-6.6	1	1.25	1.25	UL ¹ , NSF ²	2 in. x 2 in.	40	D
P6RA6F-206L	115/208-230	16.0/7.8-8.0	1-1/2	1.10	1.65	UL ¹ , NSF ²	2 in. x 2 in.	45	E
P6RAA6F-216L	230	12.0	1-3/4	1.25	1.93	UL ¹ , NSF ²	2 in. x 2 in.	50	F
P6RA6G-207L	115/208-230	21.0/10.0-10.5	2	1.10	2.20	UL ¹ , NSF ²	2 in. x 2 in.	51	F
THREE-PHASE SUPER-DUTY									
▶ 345076	208-230/460	4.9-4.5/2.3	1	1.65	1.65	UL ¹ , NSF ²	2 in. x 2 in.	45	N
▶ 345077	208-230/460	6.4-6.3/3.2	1-1/2	1.47	2.21	UL ¹ , NSF ²	2 in. x 2 in.	47	F
▶ 345078	208-230/460	7.5-7.2/3.6	2	1.30	2.60	UL ¹ , NSF ²	2 in. x 2 in.	50	G
▶ 345079	208-230/460	9.8-9.4/4.7	3	1.15	3.45	UL ¹ , NSF ²	2 in. x 2 in.	53	H
SINGLE SPEED FULL RATED FOR LOW VOLTAGE APPLICATIONS- 3 PHASE									
▶ P6R62D3-186	200-400	3.8/1.9	3/4	1.65	1.25	NSF ²	2 in. x 2 in.	42	D
▶ P6R62E3-187	200-400	5.2/2.6	1	1.65	1.65	NSF ²	2 in. x 2 in.	48	N
▶ P6R62F3-188	200-400	7.6/3.8	1-1/2	1.47	2.20	NSF ²	2 in. x 2 in.	50	F
▶ P6R62G3-189	200-400	7.6/3.8	2	1.10	2.20	NSF ²	2 in. x 2 in.	52	G
SINGLE SPEED FULL RATED FOR 575 VOLTAGE APPLICATIONS- 3 PHASE									
▶ P6EA6D36-204	575	1.2	3/4	1.50	1.12	NSF ²	2 in. x 2 in.	39	D
▶ P6EA6E36-205	575	1.5	1	1.40	1.40	NSF ²	2 in. x 2 in.	41	N
▶ P6EA6F36-206	575	1.9	1-1/2	1.10	1.65	NSF ²	2 in. x 2 in.	48	F
▶ P6EA6G36-207	575	3.2	2	1.00	2.00	NSF ²	2 in. x 2 in.	50	G
▶ P6E6H36-209	575	3.9	3	1.15	3.45	NSF ²	2 in. x 2 in.	59	H
EFFICIENT TWO SPEED 3450 RPM, LOW SPEED 1725 RPM UP RATED									
P6RA6YF-206L	230	9.2/2.5	1-1/2	1.10	1.65	UL ¹ , NSF ² , APSP ³	2 in. x 2 in.	48	A, E
P6RA6YG-207L	230	10.1/3.7	2	1.10	2.20	UL ¹ , NSF ² , APSP ³	2 in. x 2 in.	49	B, F
50 HZ EFFICIENT SINGLE SPEED									
▶ 5P6R6D-209	115/220-240	12.2/6.1	3/4	1.65	1.23		2 in. x 2 in.	39	I
▶ 5P6R6E-210	115/220-240	15.4/7.7	1	1.25	1.25		2 in. x 2 in.	41	J
▶ 5P6R6F-211	115/220-240	19.4/9.7	1.5	1.10	1.65		2 in. x 2 in.	48	K
▶ 5P6R6G-212	220-240	10.5	2	1.10	2.20		2 in. x 2 in.	50	L
▶ 5P6R6H-213	220-240	13.9	3	1.00	3.00		2 in. x 2 in.	59	M
50 HZ EFFICIENT SINGLE SPEED - 3 PHASE									
▶ 5P6R6D3-209	220-240/380-415	3.6/2.1	3/4	1.27	.95		2 in. x 2 in.	38	I
▶ 5P6R6E3-210	220-240/380-415	4.0/2.3	1	1.25	1.25		2 in. x 2 in.	40	J
▶ 5P6R6F3-211	220-240/380-415	5.15/3.0	1-1/2	1.10	1.65		2 in. x 2 in.	47	K
▶ 5P6R6G3-212	220-240/380-415	6.6/3.8	2	1.10	2.20		2 in. x 2 in.	49	L
▶ 5P6R6H3-213	220-240/380-415	8.0/4.7	3	1.00	3.00		2 in. x 2 in.	58	M
ACCESSORIES									
77703-0100	2 in. Union Half x 1-1/2 in. FPT – Package Of Two							1	
77703-0101	2 in. Union Half x 1-1/2 in. Slip – Package Of Two							1	
PKG 188Z	2 in. Union Half x 2 in. Slip – Package Of Two							1	
PKG 189	2 in. Union Half x 2 in. FPT – Package Of Two							1	
356196	Chemical/Salt/Ozone Resistant EPDM & SS Seal Quick Kit							1	

¹ 'UL' indicates that pump bears a specific UL mark signifying evaluation to U.S. Standards UL1081 for Permanently Connected Swimming Pool and Spa Pumps and to Canadian Standards CAN/CSA C22.2 No. 108-01 Liquid Pumps For Swimming Pools And Spas. (Enclosure 3).

² 'NSF' indicates that pump bears a mark signifying evaluation to NSF Standard 50 For Self-Priming Centrifugal Pumps For Swimming Pools, Spas and Hot Tubs.

³ 'APSP' Pump has been evaluated to ANSI/APSP/ICC-15 and California Title 20 and is certified to use on Residential Swimming Pool Filtration Systems.

⁴ Product may have been evaluated to other state and local regulatory standards. Listing status may change. Always confirm status with appropriate agency if in doubt.

- Pumps and replacement motors that are single speed and one (1) Total HP or greater cannot be sold, offered for sale, or installed in a residential pool for filtration use in California, Title 20 CCR sections 1601-1609.

See page 522–523 for replacement parts.

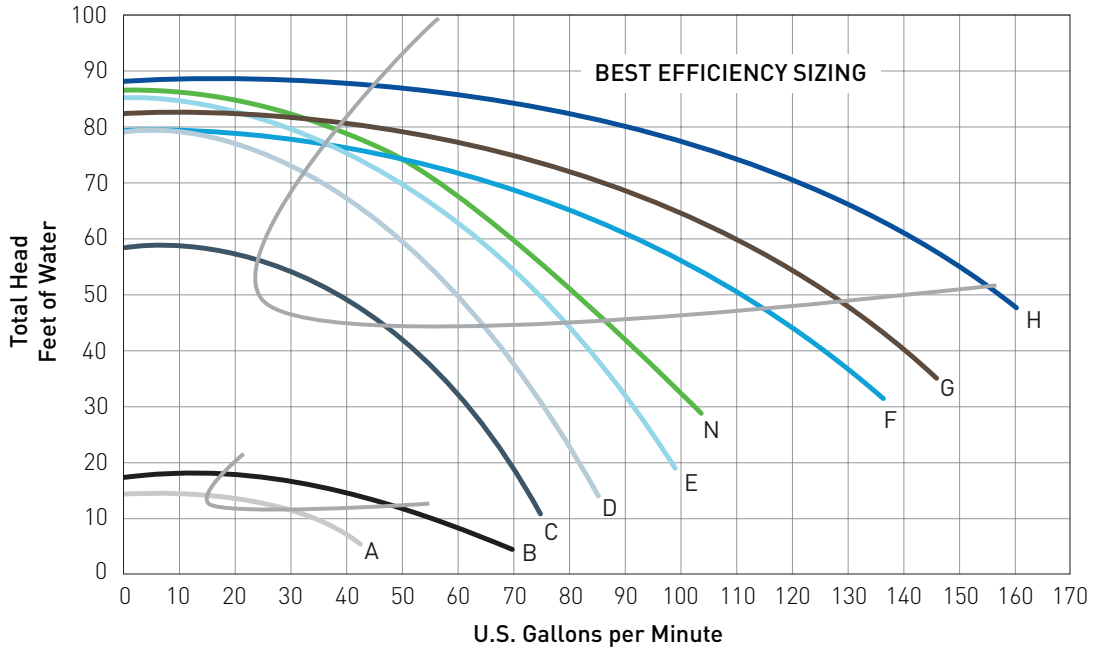
▶ This product either meets or is exempt from the DOE Dedicated Purpose Pool Pump regulation. This product will remain available after the DOE regulation takes effect in July 2021.

MAX-E-PRO®

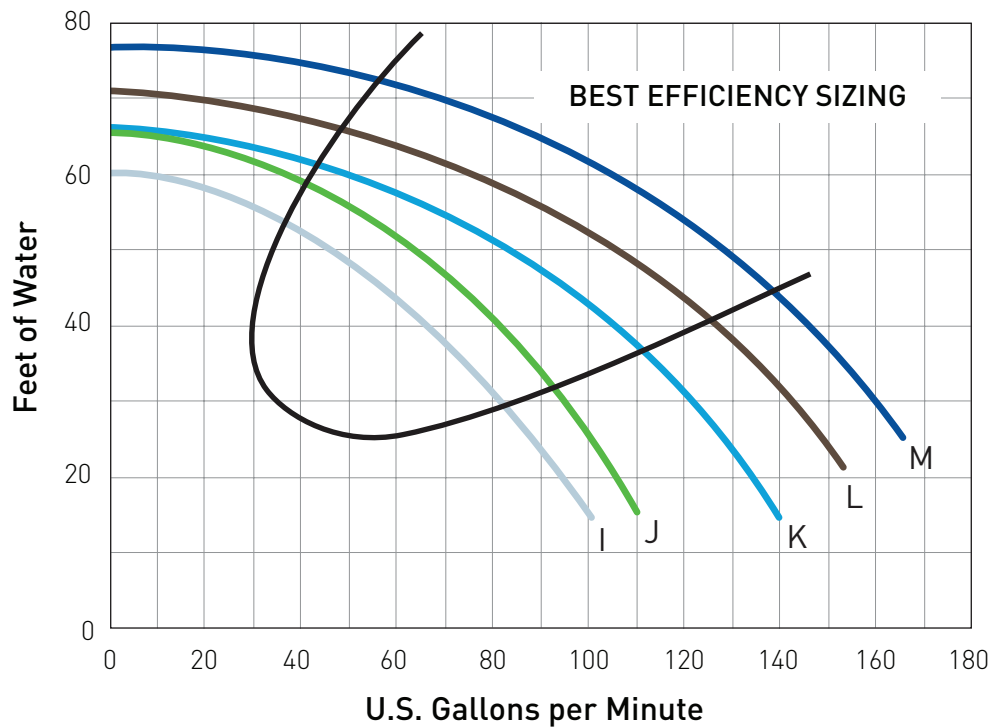
HIGH-EFFICIENCY POOL/SPA PUMPS (CONT'D)

Dimensions and Performance

60 Hz Performance Curve

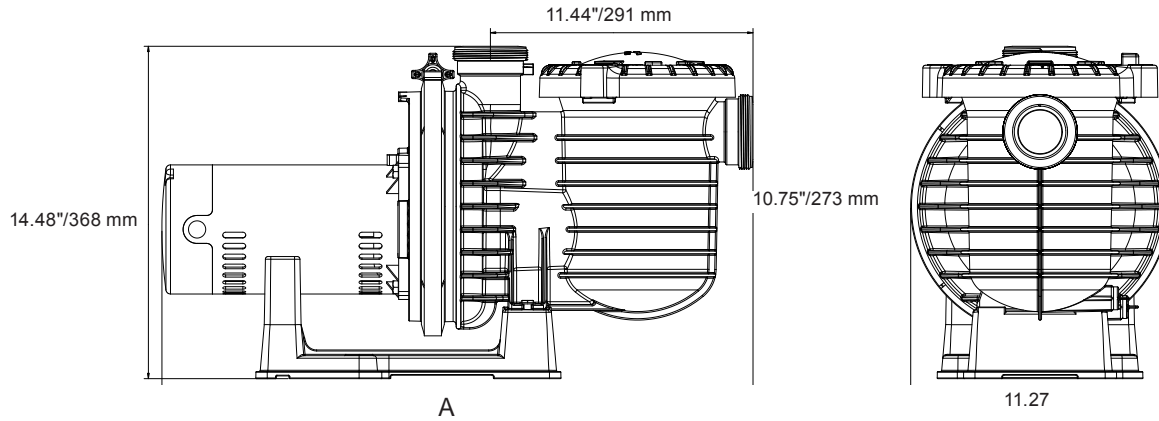


50 Hz Performance Curve



MAX-E-PRO[®]

HIGH-EFFICIENCY POOL/SPA PUMPS (CONT'D)



A- VARYING LENGTH				
HP	STD EFF	EE	1PH TEFC	3PH
.5	26.92			
.75	26.92			
1	27.29	28.45	25.03	24.76
1.5	28.92	28.45	25.48	24.76
2	28.92	29.08	25.93	25.17
3.0	28.92	29.08	26.53	25.87

See page 522–523 for replacement parts.