

**WATERCO**

water, the liquid of life

[www.waterco.com.au](http://www.waterco.com.au)

# MICRON

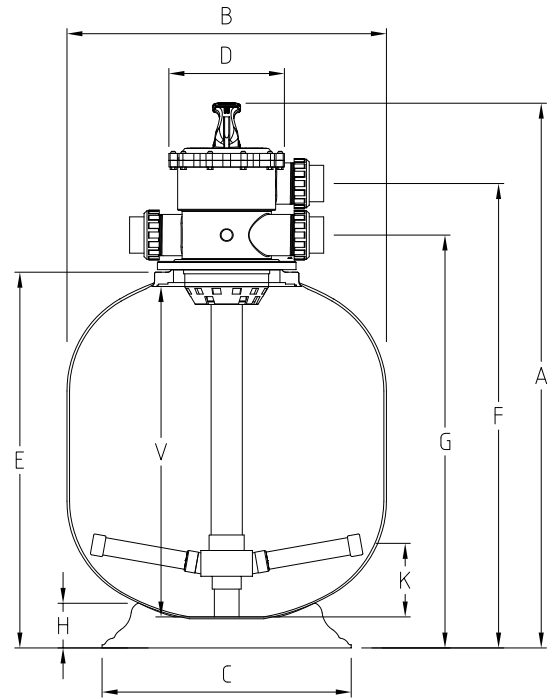
COMMERCIAL FIBREGLASS FILTERS

# *SPECIFICATIONS*



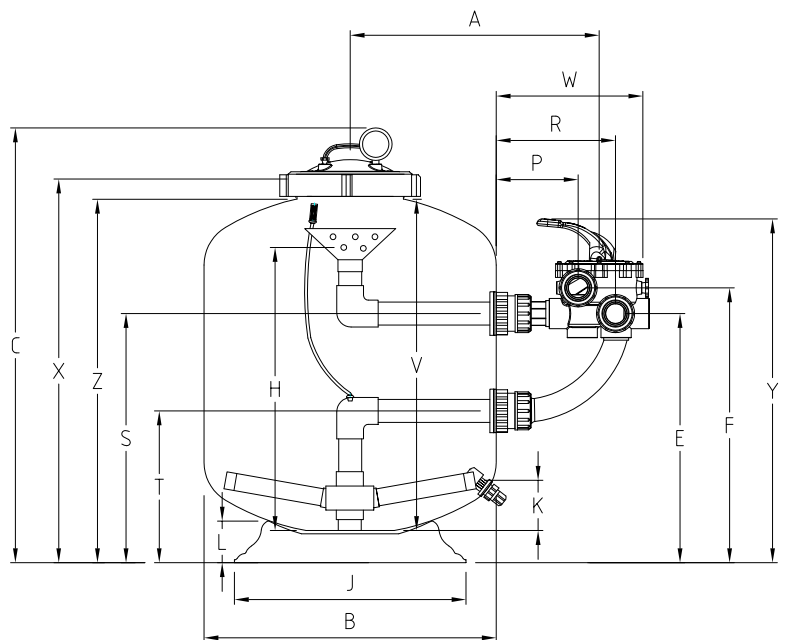
## S - Top Mount Filters

- Fibreglass wound tank, UV and Corrosion Resistant.
- Hydraulically balanced laterals to maximise water flow and filtration.



## SM - Side Mount Filters

- Fibreglass wound tank, UV and Corrosion Resistant.
- Hydraulically balanced laterals to maximise water flow and filtration.



## Specification

Filter Model	Filter Area	Valve Size	Bed Depth	24m³/hr/m²	30m³/hr/m²	36m³/hr/m²	Media Volume	Sand				Glass Pearls			
								Sand 16/30	Sand 16/30	Sand 8/16	Sand 8/16	Glass Pearls	Glass Pearls	Sand 8/16	Sand 8/16
								0.6 - 1.2	0.6 - 1.2	1.2 - 2.4	1.2 - 2.4	0.6 - 0.8	0.6 - 0.8	1.2 - 2.4	1.2 - 2.4
m²	In	mm	m³/hr	m³/hr	m³/hr	litres	litres	kg	litres	kg	litres	kg	litres	kg	
S1050	0.87	2.5	510	20.8	26.0	31.2	503	435	635	69	100	435	702	69	100
S1200	1.13	2.5	580	27.1	33.9	40.7	736	648	946	89	129	648	1046	89	129
S1200 3" ports	1.13	3.0	580	27.1	33.9	40.7	760	643	939	117	171	643	1038	117	171

## Dimensions

Filter Model	Valve Size	Bed Depth	A	B	C	D	E	F	G	H	V	K
S1050_65	2.5	510	1490	1077	1045	264	1090	1316	1183	176	940	163
S1200_65	2.5	580	1615	1210	1045	264	1215	1441	1308	176	1040	173
S1200_80_F	3.0	580	1824	1232	1045	301	1332	1552	1443	176	1145	200
S1200_80_16in_neck	3.0	580	1947	1232	1045	301	1455	1675	1566	176	1200	200

## Specification

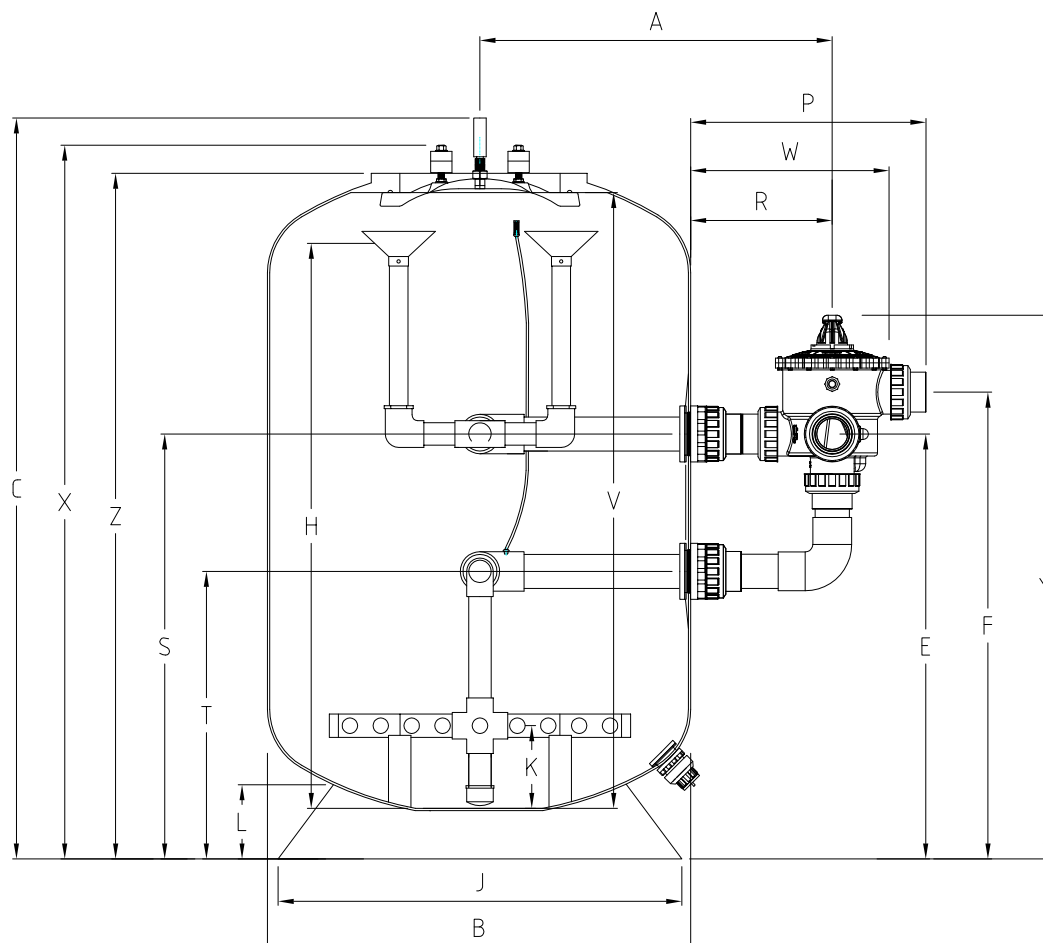
Filter Model	Filter Area	Valve Size	Bed Depth	24m³/hr/m²	30m³/hr/m²	36m³/hr/m²	Media Volume	Sand				Glass Pearls			
								Sand 16/30	Sand 16/30	Sand 8/16	Sand 8/16	Glass Pearls	Glass Pearls	Sand 8/16	Sand 8/16
								0.6 - 1.2	0.6 - 1.2	1.2 - 2.4	1.2 - 2.4	0.6 - 0.8	0.6 - 0.8	1.2 - 2.4	1.2 - 2.4
m²	In	mm	m³/hr	m³/hr	m³/hr	litres	litres	kg	litres	kg	litres	kg	litres	kg	
SM1050	0.87	2.5	470	20.8	26.0	31.2	432	394	575	38	55	394	636	38	55
SM1050 3" ports	0.87	3.0	470	20.8	26.0	31.2	432	394	575	38	55	394	636	38	55
SM1200	1.13	2.5	580	27.1	33.9	40.7	705	638	932	67	98	638	1031	67	98
SM1200 3" ports	1.13	3.0	580	27.1	33.9	40.7	705	638	932	67	98	638	1031	67	98
SM1400	1.54	3.0	670	36.9	46.2	55.4	1130	1005	1467	125	183	1005	1623	125	183
SM1600	2.01	3.0	670	48.3	60.3	72.4	1483	1316	1921	167	244	1316	2125	167	244
SM1600 4" ports	2.01	4.0	670	48.3	60.3	72.4	1483	1316	1921	167	244	1316	2125	167	244

## Dimensions

Filter Model	Valve Size	Bed Depth	A	B	C	W	R	P	E	F	K	V	H	L	X	Y	Z	J	S	T
SM1050	2.5	470	796	1077	1273	389	298	193	772	898	120	985	880	176	1241	1082	1165	1045	772	472
SM1050 3" ports	3.0	470	900	1077	1244	510	363	548	790	900	120	980	880	176	1159	1172	1089	1045	790	435
SM1200	2.5	580	873	1232	1520	389	298	193	916	1042	190	1191	1022	176	1489	1226	1413	1045	916	616
SM1200 3" ports	3.0	580	978	1232	1485	510	363	548	952	1062	150	1145	982	176	1400	1334	1330	1045	952	596
SM1400	3.0	670	1083	1442	1608	510	363	548	998	1108	190	1217	1065	218	1523	1380	1453	1202	998	642
SM1600	3.0	670	1184	1644	1875	510	363	548	1101	1211	205	1520	1220	218	1790	1483	1720	1202	1101	745
SM1600 4" ports	4.0	670	1765	1644	1875	943	474	629	707	369	205	1520	1300	218	1790	707	1720	1202	1139	707

## SMD - Series Deep Bed Filters

- The filter's 1000mm (SMD) media bed ensures that finer dirt particles and colloidal substances are retained to a far greater level than a filter with a shallower bed depth.



## Specification

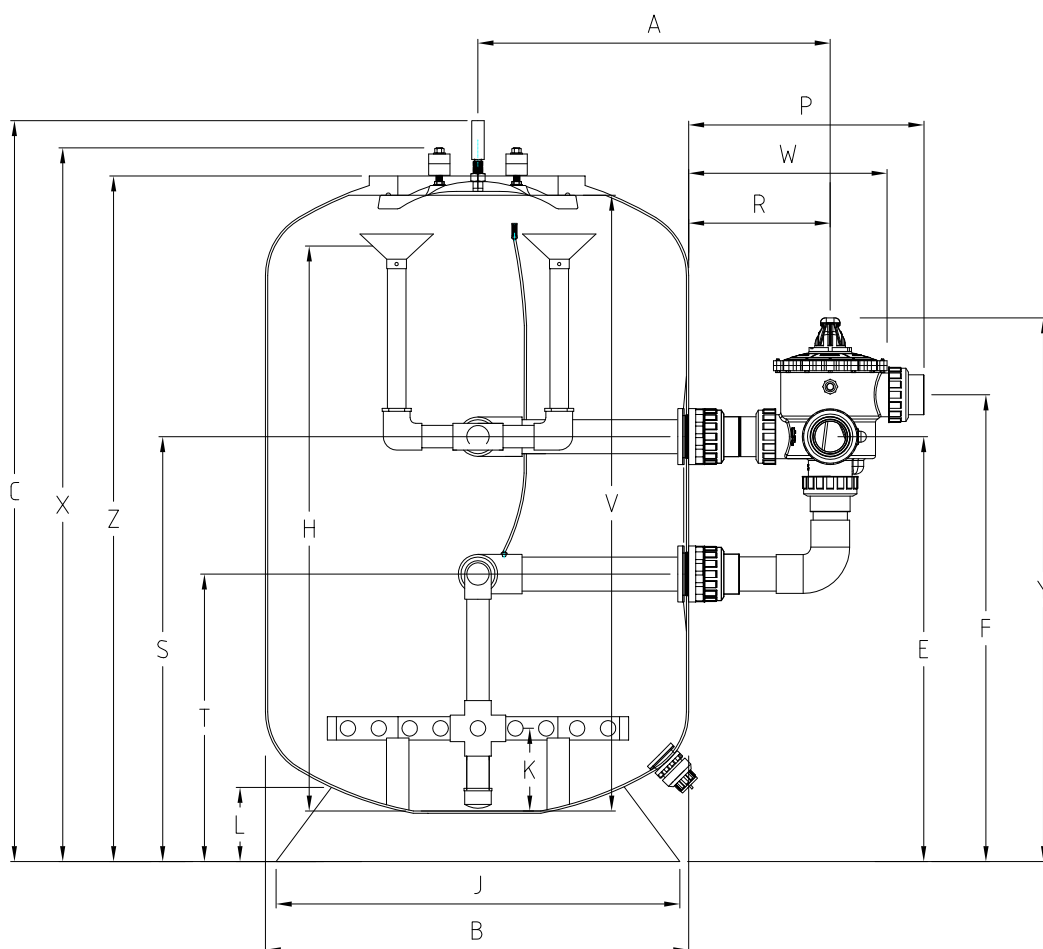
Filter Model	Filter Area	Valve Size	Bed Depth	24m³/hr/m²	30m³/hr/m²	36m³/hr/m²	Media Volume	Sand				Glass Pearls			
								Sand 16/30	Sand 16/30	Sand 8/16	Sand 8/16	Glass Pearls	Glass Pearls	Sand 8/16	Sand 8/16
								0.6 - 1.2	0.6 - 1.2	1.2 - 2.4	1.2 - 2.4	0.6 - 0.8	0.6 - 0.8	1.2 - 2.4	1.2 - 2.4
m²	In	mm	m³/hr	m³/hr	m³/hr	litres	litres	kg	litres	kg	litres	kg	litres	kg	
SMD1050	0.87	2.5	1000	20.8	26.0	31.2	973	851	1243	122	178	851	1374	122	178
SMD1050 3" ports	0.87	3.0	1000	20.8	26.0	31.2	966	844	1232	122	178	844	1363	122	178
SMD1200	1.13	2.5	1000	27.1	33.9	40.7	1219	1113	1625	106	155	1113	1797	106	155
SMD1200 3" ports	1.13	3.0	1000	27.1	33.9	40.7	1178	1111	1622	67	98	1111	1794	67	98
SMD1200 4" ports	1.13	4.0	1000	27.1	33.9	40.7	1192	1096	1600	96	140	1096	1770	96	140
SMD1400	1.54	3.0	1000	36.9	46.2	55.4	1723	1510	2205	213	311	1510	2438	213	311
SMD1400 4" ports	1.54	4.0	1000	36.9	46.2	55.4	1637	1499	2189	138	202	1499	2420	138	202
SMD1600	2.01	3.0	1000	48.3	60.3	72.4	2171	1980	2891	192	280	1980	3197	192	280
SMD1600 4" ports	2.01	4.0	1000	48.3	60.3	72.4	2096	1966	2870	130	189	1966	3176	130	189
SMD1600 6" ports	2.01	6.0	1000	48.3	60.3	72.4	2123	1932	2821	192	280	1932	3120	192	280
SMD1800	2.54	4.0	1000	61.1	76.3	91.6	2880	2654	3875	227	331	2654	4285	227	331
SMD1800 6" ports	2.54	6.0	1000	61.1	76.3	91.6	2904	2456	3586	448	654	2456	3966	448	654
SMD2000	3.14	4.0	1000	75.4	94.2	113.1	3521	3078	4497	443	647	3078	4970	443	647
SMD2000 6" ports	3.14	6.0	1000	75.4	94.2	113.1	3490	3047	4449	443	647	3047	4921	443	647

## Dimensions

Filter Model	Valve Size	Bed Depth	A	B	C	W	R	P	E	F	K	V	H	L	X	Y	Z	J	S	T
	In	mm	mm	mm	mm	mm	mm	mm	mm	mm	mm	mm	mm	mm	mm	mm	mm	mm	mm	mm
SMD1050	2.5	1000	796	1110	1930	389	298	193	1044	1170	220	1605	1470	176	1845	1354	1775	1045	1044	744
SMD1050 3" ports	3.0	1000	918	1110	1930	510	363	548	1100	1210	220	1605	1470	176	1845	1482	1775	1045	1100	744
SMD1200	2.5	1000	873	1229	1935	389	298	193	1098	1224	190	1590	1440	176	1850	1408	1780	1045	1098	798
SMD1200 3" ports	3.0	1000	977	1229	1935	510	363	548	1154	1264	150	1590	1400	176	1850	1536	1780	1045	1154	798
SMD1200 4" ports	4.0	1000	1558	1229	1935	943	474	629	760	422	180	1590	1430	176	1850	760	1780	1045	1192	760
SMD1400	3.0	1000	1083	1442	1955	510	363	548	1204	1314	250	1615	1500	218	1870	1586	1800	1202	1204	848
SMD1400 4" ports	4.0	1000	1664	1442	1955	943	474	629	810	472	200	1615	1450	218	1870	810	1800	1202	1242	810
SMD1600	3.0	1000	1184	1644	1994	510	363	548	1151	1261	220	1615	1500	218	1909	1533	1839	1202	1151	795
SMD1600 4" ports	4.0	1000	1765	1644	1994	943	474	629	757	419	180	1615	1430	218	1909	757	1839	1202	1189	757
SMD1600 6" ports	6.0	1000	-	1644	1994	-	-	-	-	-	220	1615	1470	218	1909	-	1839	1202	1200	717
SMD1800	4.0	1000	1863	1839	1985	943	474	629	751	413	225	1710	1475	315	1900	751	1830	1755	1183	751
SMD1800 6" ports	6.0	1000	-	1839	1985	-	-	-	-	-	320	1710	1570	315	1900	-	1830	1755	1168	685
SMD2000	4.0	1000	1964	2042	2063	943	474	629	758	420	300	1765	1550	245	1978	758	1908	1755	1190	758
SMD2000 6" ports	6.0	1000	-	2042	2063	-	-	-	-	-	300	1765	1550	245	1978	-	1908	1755	1215	732

## SMDD - Series Deep Bed Filters

- The filter's 1200mm (SMDD) media bed ensures that finer dirt particles and colloidal substances are retained to a far greater level than a filter with a shallower bed depth.



## Specification

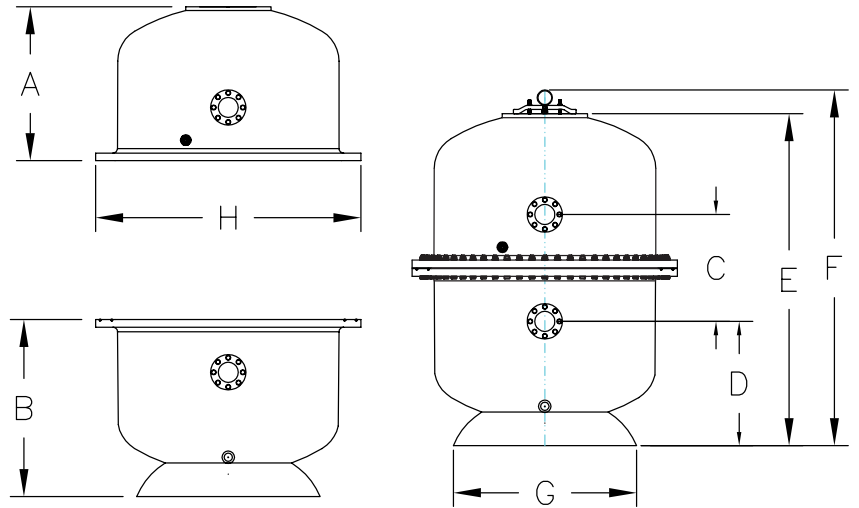
Filter Model	Filter Area	Valve Size	Bed Depth	24m³/hr/m²	30m³/hr/m²	36m³/hr/m²	Media Volume	Sand				Glass Pearls			
								Sand 16/30	Sand 16/30	Sand 8/16	Sand 8/16	Glass Pearls	Glass Pearls	Sand 8/16	Sand 8/16
								0.6 - 1.2	0.6 - 1.2	1.2 - 2.4	1.2 - 2.4	0.6 - 0.8	0.6 - 0.8	1.2 - 2.4	1.2 - 2.4
m²	In	mm	m³/hr	m³/hr	m³/hr	litres	litres	kg	litres	kg	litres	kg	litres	kg	
SMDD1050	0.87	2.5	1200	20.8	26.0	31.2	1144	1022	1492	122	178	1022	1650	122	178
SMDD1050 3" ports	0.87	3.0	1200	20.8	26.0	31.2	1140	1019	1488	122	178	1019	1645	122	178
SMDD1200	1.13	2.5	1200	27.1	33.9	40.7	1442	1336	1951	106	155	1336	2157	106	155
SMDD1200 3" ports	1.13	3.0	1200	27.1	33.9	40.7	1401	1334	1948	67	98	1334	2154	67	98
SMDD1200 4" ports	1.13	4.0	1200	27.1	33.9	40.7	1414	1319	1926	96	140	1319	2130	96	140
SMDD1400	1.54	3.0	1200	36.9	46.2	55.4	2031	1818	2654	213	311	1818	2936	213	311
SMDD1400 4" ports	1.54	4.0	1200	36.9	46.2	55.4	1945	1807	2638	138	202	1807	2918	138	202
SMDD1600	2.01	3.0	1200	48.3	60.3	72.4	2548	2381	3476	167	244	2381	3845	167	244
SMDD1600 4" ports	2.01	4.0	1200	48.3	60.3	72.4	2524	2365	3453	159	232	2365	3819	159	232
SMDD1800	2.54	4.0	1200	61.1	76.3	91.6	3192	2994	4371	198	289	2994	4835	198	289
SMDD1800 6" ports	2.54	6.0	1200	61.1	76.3	91.6	3408	2959	4320	448	654	2959	4779	448	654
SMDD2000	3.14	4.0	1200	75.4	94.2	113.1	4147	3704	5408	443	647	3704	5982	443	647
SMDD2000 6" ports	3.14	6.0	1200	75.4	94.2	113.1	4171	3669	5357	502	733	3669	5926	502	733
SMDD2200	3.80	6.0	1200	91.2	114.0	136.8	5223	4448	6494	774	1130	4448	7184	774	1130
SMDD2350	4.34	6.0	1200	104.1	130.1	156.1	5808	5080	7417	728	1064	5080	8204	728	1064
SMDD2500	4.91	6.0	1200	117.8	147.3	176.7	6538	5760	8410	778	1136	5760	9302	778	1136
SMDD3000	7.07	8.0	1200	169.6	212.1	254.5	6538	4945	7220	1593	2326	4945	7986	1593	2326

## Dimensions

Filter Model	Valve Size	Bed Depth	A	B	C	W	R	P	E	F	K	V	H	L	X	Y	Z	J	S	T
	In	mm	mm	mm	mm	mm	mm	mm	mm	mm	mm	mm	mm	mm	mm	mm	mm	mm	mm	mm
SMDD1050	2.5	1200	796	1110	2270	389	298	193	1594	1720	220	1950	1820	176	2185	1904	2115	1045	1594	1294
SMDD1050 3" ports	3.0	1200	918	1110	2270	510	363	548	1650	1760	220	1950	1820	176	2185	2032	2115	1045	1650	1294
SMDD1200	2.5	1200	873	1229	2243	389	298	193	1609	1735	190	1900	1790	176	2158	1919	2088	1045	1609	1309
SMDD1200 3" ports	3.0	1200	977	1229	2243	510	363	548	1665	1775	150	1900	1750	176	2158	2047	2088	1045	1665	1309
SMDD1200 4" ports	4.0	1200	1558	1229	2243	943	474	629	883	545	180	1900	1780	176	2158	883	2088	1045	1315	883
SMDD1400	3.0	1200	1083	1442	2313	510	363	548	1618	1728	250	1970	1860	218	2228	2000	2158	1202	1618	1262
SMDD1400 4" ports	4.0	1200	1664	1442	2313	943	474	629	898	560	200	1975	1800	218	2228	898	2158	1202	1330	898
SMDD1600	3.0	1200	1184	1644	2285	510	363	548	1383	1493	205	1950	1805	218	2200	1765	2130	1202	1383	1027
SMDD1600 4" ports	4.0	1200	1765	1644	2285	943	474	629	989	651	200	1950	1800	218	2200	989	2130	1202	1421	989
SMDD1800	4.0	1200	1863	1839	2260	943	474	629	866	528	210	2010	1810	315	2175	866	2105	1755	1298	866
SMDD1800 6" ports	6.0	1200	-	1839	2260	-	-	-	-	-	320	2010	1920	315	2175	-	2105	1755	1383	900
SMDD2000	4.0	1200	1964	2042	2398	943	474	629	878	540	300	2100	1900	245	2313	878	2243	1755	1310	878
SMDD2000 6" ports	6.0	1200	-	2042	2398	-	-	-	-	-	320	2100	1920	245	2313	-	2243	1755	1310	827
SMDD2200	6.0	1200	-	2245	2415	-	-	-	-	-	380	2090	1980	245	2330	-	2260	1755	1386	903
SMDD2350	6.0	1200	-	2390	2435	-	-	-	-	-	355	2118	1955	340	2330	-	2330	2037	1500	1017
SMDD2500	6.0	1200	-	2575	2510	-	-	-	-	-	355	2190	1955	340	2405	-	2405	2037	1494	1011
SMDD3000	8.0	1200	-	3045	2890	-	-	-	-	-	465	2490	2065	417	2785	-	2785	2660	1688	1205

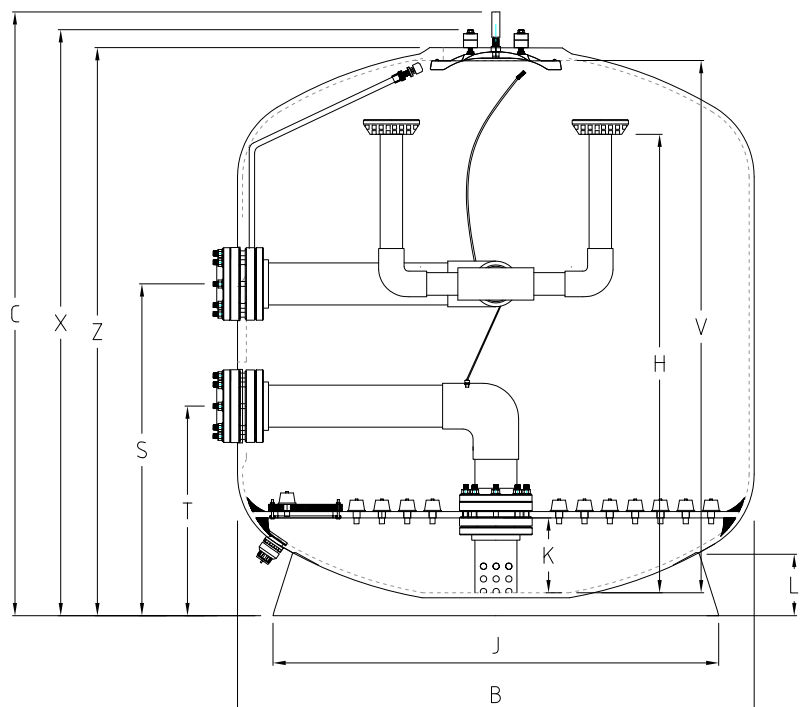
## SMDDT - Split Tank Deep Bed Filters

- Manufactured from the highest grade of non-corrosive materials using the latest in gel coated fibreglass technology, in addition to the standard working pressure of 4 bars.
- SMDDT filters are ideal for retrofitting. They can be delivered in two parts and assembled on site in the plant room. The two halves seal perfectly, using an o'ring and held together by a flange using bolt and nuts.



## SPDD - Series Nozzle Plate Bed Filters

- Micron SPDD filters are fitted with a plate and nozzle system, which ensures uniform flow for both filtering and backwashing. This ensures maximum performance through the media bed. The nozzle plate system also allows the introduction of pressurised air directly into the bottom of the filter media.





## Specification

Filter Model	Filter Area	Valve Size	Bed Depth	24m³/hr/m²	30m³/hr/m²	36m³/hr/m²	Media Volume	Sand				Glass Pearls			
								Sand 16/30	Sand 16/30	Sand 8/16	Sand 8/16	Glass Pearls	Glass Pearls	Sand 8/16	Sand 8/16
								0.6 - 1.2	0.6 - 1.2	1.2 - 2.4	1.2 - 2.4	0.6 - 0.8	0.6 - 0.8	1.2 - 2.4	1.2 - 2.4
m²	In	mm	m³/hr	m³/hr	m³/hr	litres	litres	kg	litres	kg	litres	kg	litres	kg	
SMDDT1200	1.13	3.0	1200	27.1	33.9	40.7	1401	1334	1948	67	98	1334	2154	67	98
SMDDT1400	1.54	4.0	1200	36.9	46.2	55.4	1945	1807	2638	138	202	1807	2918	138	202
SMDDT1600	2.01	4.0	1200	48.3	60.3	72.4	2524	2365	3453	159	232	2365	3819	159	232
SMDDT1800	2.54	6.0	1200	61.1	76.3	91.6	3408	2959	4320	448	654	2959	4779	448	654

## Dimensions

Filter Model	Valve Size	Bed Depth	A	H	F	B	C	D	E	G
	In	mm	mm	mm	mm	mm	mm	mm	mm	mm
SMDDT1200	3.0	1200	1010	1521	2245	1095	700	749	2088	1045
SMDDT1400	4.0	1200	1008	1737	2330	1165	700	814	2170	1200
SMDDT1600	4.0	1200	995	1943	2285	1130	700	829	2130	1200
SMDDT1800	6.0	1200	1105	2105	2355	1100	700	789	2188	1760

## Specification

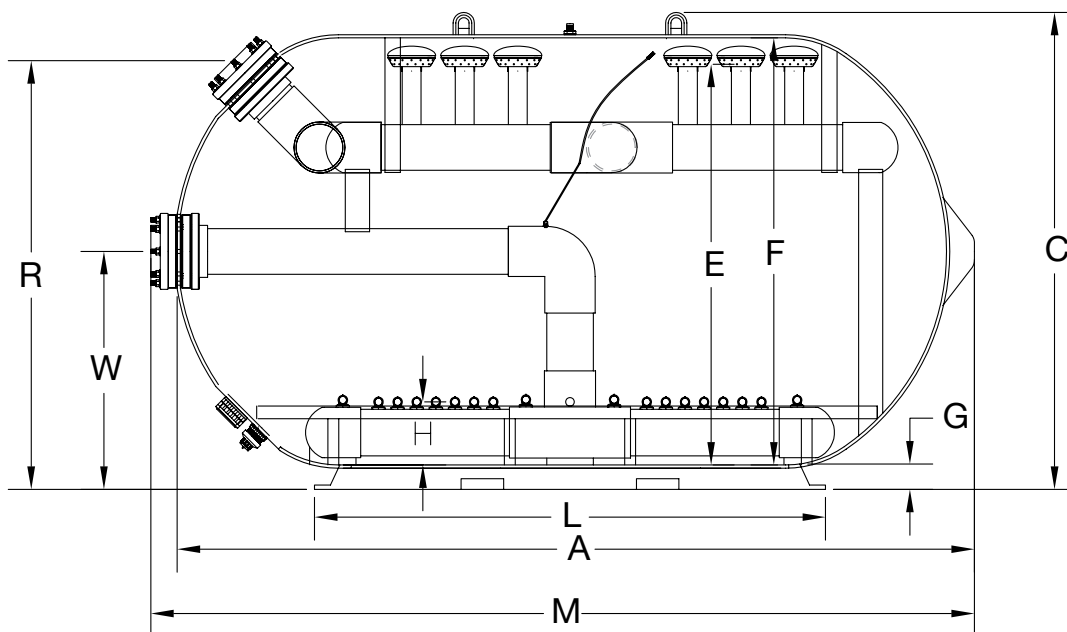
Filter Model	Filter Area	Valve Size	Bed Depth	24m³/hr/m²	30m³/hr/m²	36m³/hr/m²	Media Volume	Sand				Glass Pearls			
								Sand 16/30	Sand 16/30	Sand 8/16	Sand 8/16	Glass Pearls	Glass Pearls	Sand 8/16	Sand 8/16
								0.6 - 1.2	0.6 - 1.2	1.2 - 2.4	1.2 - 2.4	0.6 - 0.8	0.6 - 0.8	1.2 - 2.4	1.2 - 2.4
m²	In	mm	m³/hr	m³/hr	m³/hr	litres	litres	kg	litres	kg	litres	kg	litres	kg	
SPDD1050	0.87	3"	1200	20.8	26.0	31.2	1017	1340	2154	188	274	948	1531	69	101
SPDD1200	1.13	3"	1200	27.1	33.9	40.7	1322	1741	2918	244	356	1231	1989	90	132
SPDD1400	1.54	4"	1200	36.9	46.2	55.4	1808	2381	3819	334	487	1685	2721	123	180
SPDD1600	2.01	4"	1200	48.3	60.3	72.4	2366	3117	4779	437	638	2206	3562	161	235
SPDD1800	2.54	6"	1200	61.1	76.3	91.6	2966	3906	2918	547	798	2762	4461	204	297
SPDD2000	3.14	6"	1200	75.4	94.2	113.1	3671	4835	3819	677	989	3420	5523	251	367
SPDD2350	4.34	6"	1200	104.1	130.1	156.1	5089	6702	4779	939	1371	4742	7658	347	507

## Dimensions

Filter Model	Valve Size	Bed Depth	B	C	K	V	H	L	X	Z	J	S	T
	In	mm	mm	mm	mm	mm	mm	mm	mm	mm	mm	mm	mm
SPDD1050	3"	1200	1077	2270	220	1950	1820	176	2185	2115	1045	1450	750
SPDD1200	3"	1200	1229	2243	150	1900	1750	176	2158	2088	1045	1449	749
SPDD1400	4"	1200	1442	2313	200	1975	1800	218	2228	2158	1202	1514	814
SPDD1600	4"	1200	1644	2285	200	1950	1800	218	2200	2130	1202	1529	829
SPDD1800	6"	1200	1839	2260	320	2010	1920	315	2175	2105	1755	1489	789
SPDD2000	6"	1200	2042	2398	320	2100	1920	245	2313	2243	1755	1489	789
SPDD2350	6"	1200	2390	2435	355	2118	1955	340	2330	2330	2037	1550	950

## M & MD - Micron Horizontal & Deep Bed Filters

The spherical ends are designed to give uniform flow from both inlet and outlet collection assemblies. Micron horizontal filters are available with a 500mm (M) filter media bed and a 1200mm (MD) filter media bed.



## Specification

Filter Model	Filter Area	Valve Size	Bed Depth	24m³/hr/m²	30m³/hr/m²	36m³/hr/m²	Media Volume	Sand				Glass Pearls			
								Sand 16/30	Sand 16/30	Sand 8/16	Sand 8/16	Glass Pearls	Glass Pearls	Sand 8/16	Sand 8/16
								0.6 - 1.2	0.6 - 1.2	1.2 - 2.4	1.2 - 2.4	0.6 - 0.8	0.6 - 0.8	1.2 - 2.4	1.2 - 2.4
m²	In	mm	m³/hr	m³/hr	m³/hr	litres	litres	kg	litres	kg	litres	kg	litres	kg	
M2500	2.50	4"	500	60.0	75.0	90.0	1452	1224	1977	202	295	1047	1690	405	592
M3750	3.75	4"	500	90.0	112.5	135.0	2370	1901	3070	299	436	1679	2711	691	1009
M3750	3.75	6"	500	90.0	112.5	135.0	2370	1901	3070	299	436	1679	2711	691	1009
M5000	5.00	6"	500	120.0	150.0	180.0	3192	2636	4258	397	579	2162	3492	1029	1503

## Dimensions

Filter Model	Valve Size	Bed Depth	A	C	W	R	L	F	E	G	H	M
	In	mm	mm	mm	mm	mm	mm	mm	mm	mm	mm	mm
M2500	4"	500	2245	1620	740	1300	1400	1260	1005	150	255	2327
M3750	4"	500	3230	1620	740	1300	2520	1260	1005	150	255	3312
M3750	6"	500	3230	1620	740	1300	2520	1260	945	150	275	3312
M5000	6"	500	4220	1620	740	1300	3570	1260	945	150	275	4301

## Specification

Filter Model	Filter Area	Valve Size	Bed Depth	24m³/hr/m²	30m³/hr/m²	36m³/hr/m²	Media Volume	Sand				Glass Pearls			
								Sand 16/30	Sand 16/30	Sand 8/16	Sand 8/16	Glass Pearls	Glass Pearls	Sand 8/16	Sand 8/16
								0.6 - 1.2	0.6 - 1.2	1.2 - 2.4	1.2 - 2.4	0.6 - 0.8	0.6 - 0.8	1.2 - 2.4	1.2 - 2.4
m²	In	mm	m³/hr	m³/hr	m³/hr	litres	litres	kg	litres	kg	litres	kg	litres	kg	
MD5500	5.50	6"	1200	132.0	165.0	198.0	6356	5377	7850	1114	1627	5469	8833	887	1295
MD5500 8" ports	5.50	8"	1200	132.0	165.0	198.0	6356	5890	8600	1114	1627	5469	8833	887	1295
MD6500	6.50	8"	1200	156.0	195.0	234.0	7548	7055	10300	1337	1953	6399	10334	1149	1677
MD8000	8.00	8"	1200	192.0	240.0	288.0	9795	8699	12700	1650	2410	8326	13446	1469	2144
MD10000	10.00	10"	1200	240.0	300.0	360.0	12116	10959	16000	2042	2981	9905	15997	2211	3228

## Dimensions

Filter Model	Valve Size	Bed Depth	A	C	W	R	L	E	F	G	H	M
	In	mm	mm	mm	mm	mm	mm	mm	mm	mm	mm	mm
MD5500	6"	1200	3252	2260	1120	1988	1880	1889	2000	230	289	3330
MD5500 8" ports	8"	1200	3122	2260	1120	1988	1880	1840	2000	230	240	3330
MD6500	8"	1200	3765	2260	1120	2020	2405	1890	2000	230	290	3890
MD8000	8"	1200	4516	2260	1120	2020	3155	1890	2000	230	290	4640
MD10000	10"	1200	5500	2260	1150	2050	4055	1890	2000	230	330	5650

# Waterco Limited

Established since 1981, Waterco is an Australian publicly listed company involved in the manufacture and distribution of swimming pool and spa equipment and chemicals, domestic water filters, softeners and purifiers, and commercial and industrial water treatment equipment.

Waterco's research and development team has created an innovative range of award-winning products. The company's advanced fibreglass winding and pioneering plastic moulding techniques have delivered premium quality products to over 40 countries via its branches operating in Australia, New Zealand, Malaysia, China, United Kingdom, United States of America, Canada, Indonesia and Singapore.

## OFFICES - AUSTRALIA

**NSW - Sydney (Head Office)**  
Tel: +61 2 9898 8600

**QLD - Brisbane**  
Tel: +61 7 3299 9900

**VIC/TAS - Melbourne**  
Tel: +61 3 9764 1211

**WA - Perth**  
Tel: +61 8 9273 1900

**SA/NT - Adelaide**  
Tel: +61 8 8244 6000

**ACT Distribution**  
Tel: +61 2 6280 6476

## OFFICES - OVERSEAS

**Waterco (Europe) Limited**  
Sittingbourne, Kent, UK  
Tel: +44 (0) 1795 521 733

**Waterco (USA) Inc**  
Augusta, Georgia, USA  
Tel: +1 706 793 7291

**Waterco Canada**  
Longueuil, Qc, Canada  
Tel: +1 450 748 1421

**Waterco (NZ) Limited**  
Auckland, New Zealand  
Tel: +64 9 525 7570

**Waterco (C) Limited**  
Guangzhou, China  
Tel: +86 20 3222 2180

**PT Waterco Indonesia**  
Jakarta, Indonesia  
Tel: +62 21 4585 1481

**Waterco Singapore Intl Pte Ltd**  
Nehsons Building, Singapore  
Tel: +65 6344 2378

**Waterco (Far East) Sdn Bhd**  
Selangor, Malaysia  
Tel: +60 3 6145 6000

Distributed by:

